

TM350H

GPS Personal Navigation Assistant Installation and Operation Manual

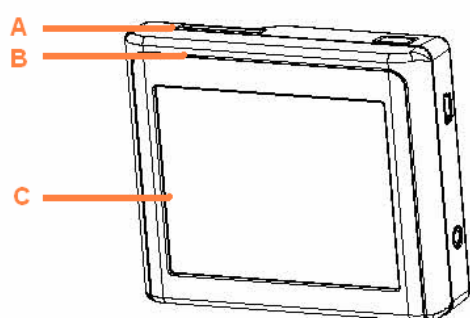
Thank you for selecting TM350H GPS Personal Navigation Assistant. Please read carefully this manual before installing and operating the device, and store it well for future reference. Please refer to the navigation system user's manual for details on operating the navigation system.

Table of Contents

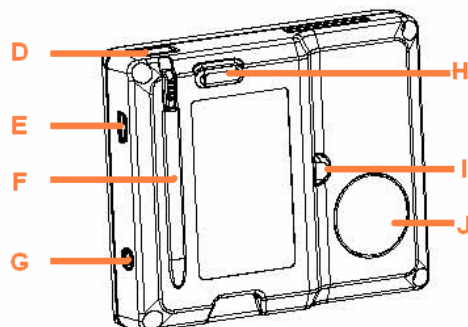
Getting Started	1
● Product Overview	1
● Product Package.....	1
● Charging the Battery.....	2
● Turn on the Device	3
● Reset Feature	4
Working with the SD/MMC Memory Card	4
● Transferring Audio, Video and Image Files from Your Computer to SD/MMC Card via the Card Reader	4
● Installing the SD/MMC Memory Card	5
● Restoring the System Data Files of the Memory Card	6
Operating the Navigation System	6
Listening to Music	7
● Listening to Music	7
● Music Player	8
● EQ Setting.....	8
Watching Videos	9
● Watching a Video.....	9
● Movie Player	10
Viewing Pictures	11
● Viewing a Picture.....	11
● Picture Viewer	12
Setting	13
● Backlight Setting	13
● Power Status	14
● Software Version Information	14
● Language Setting	14
● Touch Screen Calibration	15
Appendix	16
● Attaching the Cradle and Car Holder	16
● Detaching the Cradle	16
● Installing the Car Holder	17
● Attaching the Device and the Cradle	18
● Technical Specifications	18
● Troubleshooting	19

Getting Started

● Product Overview



- A. SD/MMC Memory Card Slot
- B. Operation Indicator
- C. Touch Screen
- D. Power Button
- E. USB Port



- F. Stylus Slot
- G. Earphone Socket
- H. External Antenna Connector
- I. Reset Button
- J. Speaker

● Product Package

The product package includes:

- Support disk
- Warranty card
- Navigation system user's manual
- Personal navigation assistant installation and operation manual
- Car holder
- Cradle
- Car adapter
- SD/MMC memory card
- Travel adapter (optional)

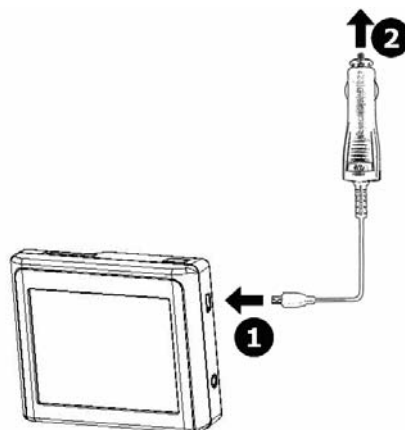
● Charging the Battery

The device comes with a built-in rechargeable battery. You have different possibilities to charge the battery:

- Via the car adapter
- Via the USB cable
- Via the travel adapter (optional)

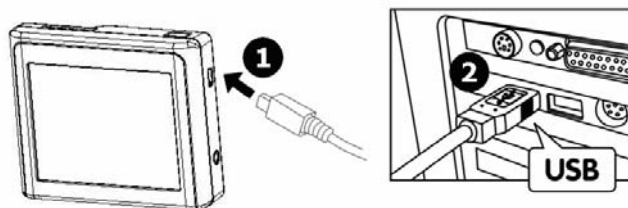
Car Adapter

1. Connect the USB plug of the car adapter to the USB port of the device.
2. Connect the car adapter to the jack of the cigarette lighter.
3. Battery charging begins. The operation indicator lights red.



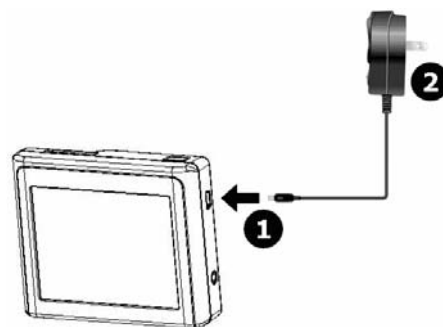
USB Cable

1. Connect the Mini B plug of the USB cable to the USB port of the device.
2. Connect the other plug of the USB cable to the computer.
3. Battery charging begins. The operation indicator lights red.



Travel Adapter (Optional)

1. Connect the USB plug of the travel adapter to the USB port of the device.
2. Connect the travel adapter to a household electrical outlet.
3. Battery charging begins. The operation indicator lights red.



The operation indicator lights green when the device is powered up by the built-in battery and lights red when the device works with an external power supply.



The car adapter and the travel adapter are used both for battery charging and as an external power supply. To avoid the navigation system interrupting due to a low battery power, you can leave the car adapter connected while driving to ensure a consecutive power supply.



If the device will not be used for a long period of time, turn off the power of the device and charge the battery every three months.

● Turning on the Device

Press the Power button to turn on the power. In the working mode, press the Power button and the device enters the Sleep mode; press the Power button again and the device enters the Working mode.



Charge the battery for at least three to four hours or connect the device to an external power supply before its first use or when not used for a long period of time.



Pressing the reset button shuts down the navigation system and turns off the power.



Use the Sleep mode only when necessary.



It takes about ten seconds for the device to enter the Working mode from the Sleep mode.

● **Reset Feature**

The device is designed with a reset feature. If the device receives no GPS satellite signal, encounters a shutdown or makes no response when performing any operation, you may reset the device by pressing the reset button. Turn on the power again. The device resumes normal operation.



The device is designed with a memory function. If the device enters the Sleep mode for a certain period of time, please restart the device so that the navigation system can re-locate the GPS position.

Working with the SD/MMC Memory Card

● **Transferring Audio, Video and Image Files from Your Computer to SD/MMC Card via the Card Reader**

You must transfer the audio, video and image file from your computer to the SD/MMC memory card via the card reader before playing them on the device.

1. Insert the SD/MMC card into the card slot of the card reader.
2. Connect the card reader with your computer.
3. Double-click the My Computer icon on your computer's desktop.
4. Browse your computer for the file you want to copy.
5. Highlight the file, right-click your mouse, and select Copy.
6. Open the Removable Disk drive for the SD/MMC card.
7. Select Edit and then Paste. Save the audio, video and image file respectively in the Music, Media and Photo folders.
8. Safely disconnect the card reader from your computer.



You must save the audio file in the Music folder, the video file in the Media folder and the image file in the Photo folder. Otherwise, the device cannot play them.



The device can play the audio files in MP3, WAV and WMA formats (320 kbps at maximum), the video files in MOV, AVI, MPG, XVID and WMV formats (512 kbps at maximum), and the image files in JPEG (1024x768 pixels at maximum) format.

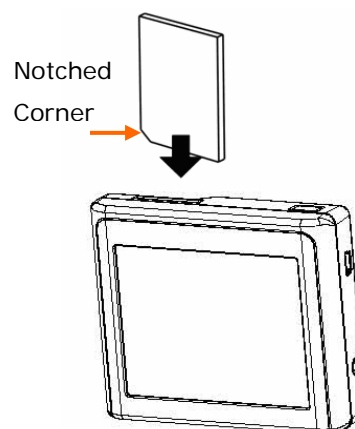


The device is designed to work with an SD or MMC memory card.

● Installing the SD/MMC Memory Card

The device comes with an SD/MMC memory card with the digital map included.

1. Unpack the card out of the product package.
Do not touch or dirt the contact of the card.
2. Insert the card into the card slot, ensuring the card is inserted in the correct position as the indicator beside the card slot directed. A click sounds, indicating the card is securely seated in the card slot.
3. Turn on the power and the device will automatically read the digital map data from the card. You may perform further operation.



Never force the card into the card slot if you feel resistance when inserting the card.



The memory card must stay inserted in the device while you are using the navigation system. If you remove the card while using the system, it executes a soft reset and prompts you to insert the memory card.



Never remove the memory card out of the card slot when operating the device. Otherwise, it may cause data loss or damage to the device or the memory card.



Turn off the power before removing the memory card out of the card slot.



Never touch or dirt the contact of the memory card.

● Restoring the System Data Files of the Memory Card

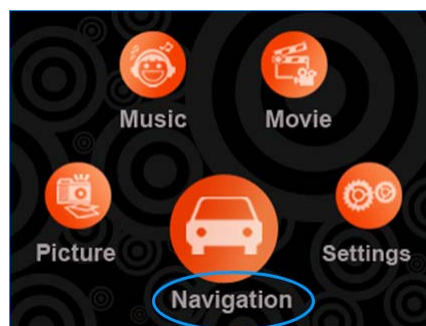
In case you have lost or damaged the provided memory card, you will find all system data files which are necessary for recovery on your supplied disk.

A PC and a card reader are required for transmitting the system data files.

1. Insert the memory card into the card reader and connect the card reader with your computer.
2. Place the enclosed disk into your computer's disk drive.
3. Copy the backup data package to the computer. Right click on the data package and select Properties, and then clear the Read Only box in the displayed Properties window. Copy the data package from the computer to the memory card.
4. Safely disconnect the card reader from your computer.

Operating the Navigation System

1. Touch Navigation. The navigation system is activated and the digital map is shown.
2. Identify your destination and the navigation system will create an optimal route.
3. Drive as the route and voice instruction prompts.
4. Arrive at the destination.



Refer to the navigation system user's manual for details on operating the navigation system.

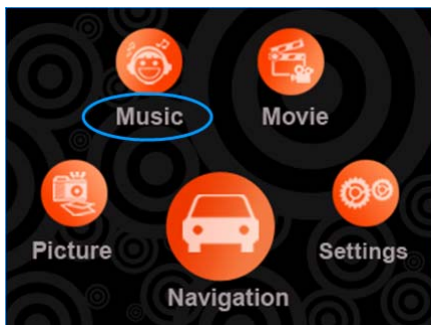



The device is designed with a memory function. If the device enters the Sleep mode for a certain period of time, please restart the device so that the navigation system can re-locate the GPS position.

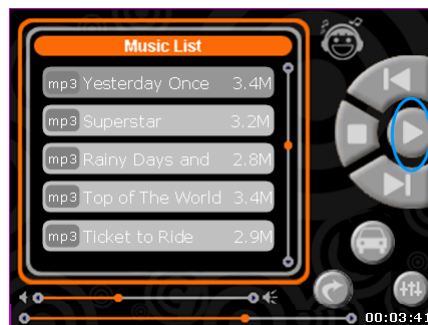
Listening to Music



- **Listening to Music**

1. Touch Music.



2. Touch  to start playing music. Or select a track and touch it to start playing from the selected track.




3. Touch  to pause or  to stop.



Touch  or  to play the previous or the next track.



Touch  to stop playing music and enter the navigation system.



Touch  to adjust EQ setting.




Touch  to return to the main menu.

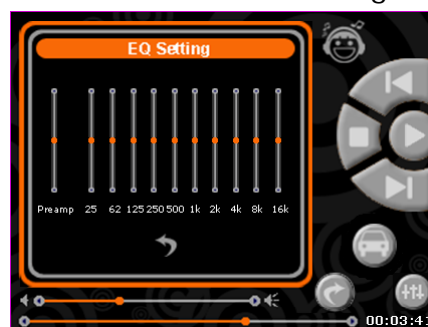
● **Music Player**




Item	Description
A	Touch the left or right arrow on the volume bar to decrease or increase the volume level.
B	While playing music, touch any point on the progress bar to start playing from the selected point.
C	Select the previous track and play it.
D	Start or pause playing music.
E	Stop playing music.
F	Select the next track and play it.
G	Touch any point on the list bar to toggle up and down the music list.
H	Switch to the navigation system.
I	Show the EQ settings.
J	Return to the main menu.

● **EQ Setting**

1. Touch .
2. Touch any point of each setting bar to select the desire setting.



3. Touch  again to confirm the adjustment and return to the music list.

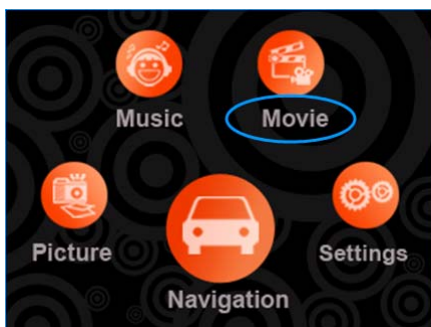


Touch  to return all EQ settings to the default values.

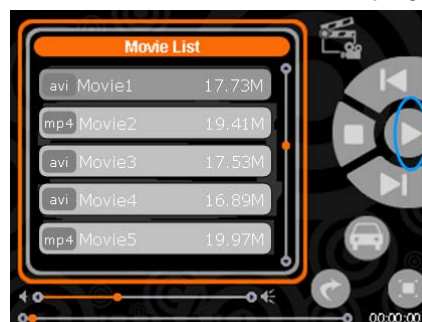
Watching Videos

- **Watching a Video**

1. Touch Movie.



2. Toggle through the movie list and select a video file. Touch ▶ to start playing.



3. Touch ⏸ to pause or ⏹ stop.



Touch ◀ or ▶ to play the previous or the next video file.



While playing, touch ⏏ to play the video file in full screen. Touch the screen to return to the original size screen.

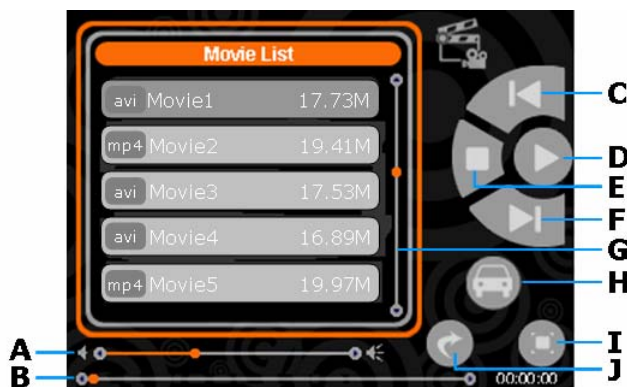


Touch ⏹ to stop playing and enter the navigation system.



Touch ↶ to return to the main menu.

● **Movie Player**

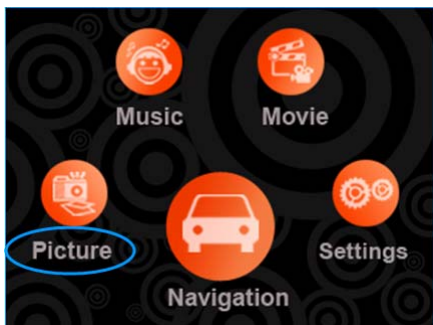


Item	Description
A	Touch the left or right arrow on the volume bar to decrease or increase the volume level.
B	While playing, touch any point on the progress bar to start playing from the selected point.
C	Select the previous video file and play it.
D	Start or pause playing the video file.
E	Stop playing the video file.
F	Select the next video file and play it.
G	Touch any point on the list bar to toggle up and down the movie list.
H	Switch to the navigation system.
I	Play the video file in full screen.
J	Return to the main menu.

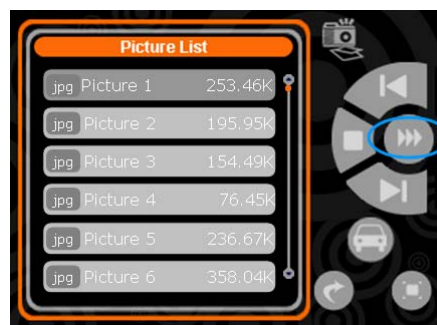
Viewing Pictures



- **Viewing a Picture**

1. Touch Picture.



2. Touch  to start a picture slide show.



3. Touch  or  to pause or stop playing the slide show.



Touch  or  to show the previous or the next picture.



While playing a slideshow, touch  to play a slide show in full screen.
Touch the screen to return to the original size screen.



Touch  to stop playing and enter the navigation system.



Touch  to return to the main menu.

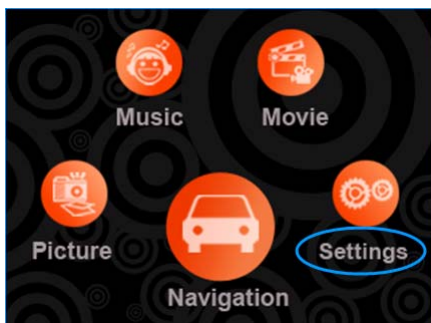
● **Picture Viewer**



Item	Description
A	View the previous picture.
B	Start or pause playing a slide show.
C	Stop the slide show.
D	View the next picture.
E	Touch any point on the list bar to toggle up and down the picture list.
F	Switch to the navigation system.
G	Play a slide show in full screen.
H	Return to the main menu.

Setting

1. Touch Settings.



2. Touch ◀ or ▶ to select a setting, e.g. backlight setting, power status, version info, etc.



3. After adjustment to a certain setting, touch ◀ or ▶ to select another setting, or touch ↶ to confirm the current settings and return to the main menu.



Touch  to switch to the navigation system.

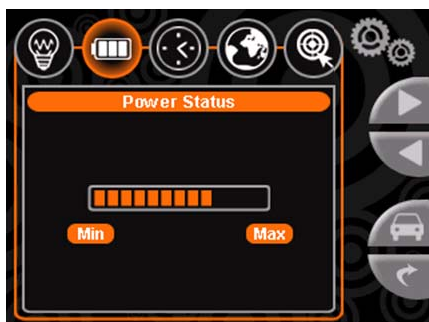
- **Backlight Setting**

Touch ◀ or ▶ to decrease or increase the background backlight.



- **Power Status**

Check the battery power level.



- **Software Version Information**

Check the software version information.

- **Language Setting**

Touch ◀ or ▶ to select the language for the user interface.



- **Touch Screen Calibration**

1. Touch any part in the orange frame.
2. Select and hold your stylus on the cross icon "+". You must select the icon 5 times, first in the center and then in the 4 corners of the screen.



Carefully press and briefly hold stylus on the center of the target
Repeat as the target moves around the screen.

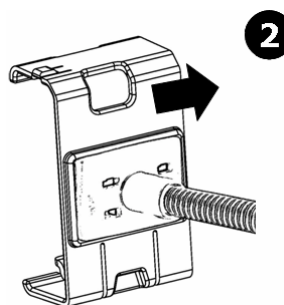
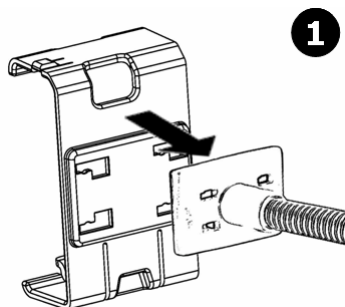


3. Touch the screen again to save your settings.

Appendix

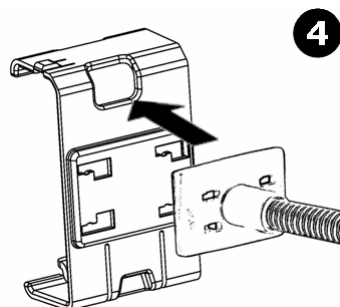
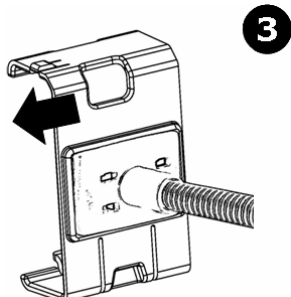
● Attaching the Cradle and Car Holder

1. Align the cradle with the holder as shown in Illustration ①.
2. Push the cradle in the direction of the arrow shown in Illustration ② while holding the holder firmly till a clip sound is heard.



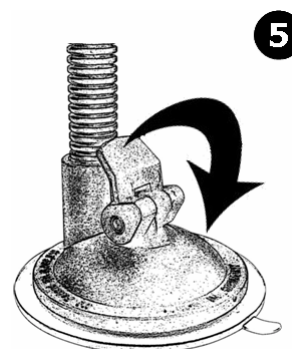
● Detaching the Cradle

1. Push the cradle in the direction of the arrow shown in Illustration ③ while holding the holder firmly till the holder plate is free.
2. Remove the cradle.



● **Installing the Car Holder**

1. Select a suitable location on the dashboard or the windscreen and remove dirt or grease from the surface. Remove the protective foil from the suction-cup.
2. With the locking lever in the up position, press and hold the suction cup on the surface.
3. Push the locking lever towards the base as shown in Illustration ⑤ to lock the holder in place.
4. Adjusting the angle of the holder by firmly bending the stem.



When installing the holder in a vehicle, place the device securely so that it does not interfere with vehicle operating controls and airbag deployment or obstruct the driver's view of the road.

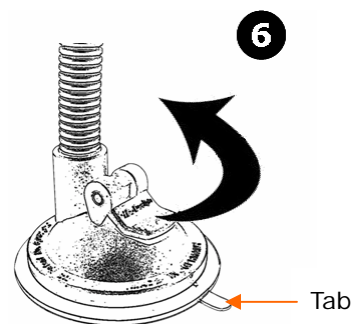


To obtain a strong and secure hold, the holder should not be used for 24 hours after mounting.



Hold the suction-cup base firmly while adjusting the angle of the holder.

To remove the holder, lift the locking lever upwards and release the suction-cup by pulling the tab, as shown in Illustration ⑥.

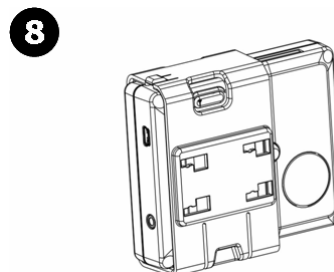


● **Attaching the Device and the Cradle**

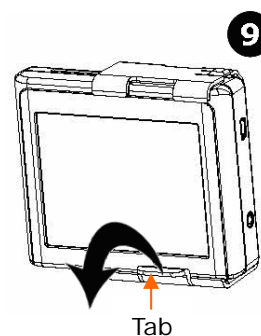
1. As shown in Illustration ⑦, apply the cradle on the top of the device. Pull the tab of the cradle from the back to the front side of the device till a clip sound is heard. The device is locked into place.



2. The device is locked into place as shown in Illustration ⑧.



To remove the device, pull the tab of the cradle downwards as shown in Illustration ⑨ and release the device from the cradle.



● **Technical Specifications**

Size	(W)94mm x (D)24mm x (H)77mm
Weight	Approx. 177g (Including the built-in battery and excluding the memory card)
Screen	3.5-inch TFT touch screen
Memory	SD/MMC memory card
Power Supply	<ul style="list-style-type: none"> - 1100mAh Lithium Ion rechargeable battery - Vehicle-mounted power via a car adapter - Computer power supply via a USB cable - Household electrical outlet via a travel adapter
CPU	Samsung S3c2440A@400MHz
GPS module	SIRF StarIII
Antenna	Embedded patch antenna
Operating System	Windows® CE 5.0
Temperature	0 - 40°C

● **Troubleshooting**

Symptom/Problem	Solution
The device makes no response or switches on and off repeatedly after pressing the Power button.	Battery power is low. Please recharge the battery.
The device cannot receive the GPS satellite signal.	Operate the device outdoors.
	When driving within built-up areas or dense forests, GPS satellite signal may not be ready or may be blocked from receiving. Please check the location of your device.
	The electric field and magnetic field in the surrounding environment may affect the operation of the device. Keep away from the wireless communication station, wireless communication tower, high-voltage power line, etc., when you operating the device.
Press the reset button and turn on the power again.	
Where can I find more information on the navigation system?	Detailed operating instructions on navigation can be found in the user's manual for the navigation system. If you still have any question or problem, please contact us. See the warranty card for contact information.
What do I need the accompanied disk for?	The support disk contains backup digital maps and important data. In case of damage or data loss happens to the memory card, you can copy the cartographic data and necessary files from the support disk to the memory card. See " Restoring the System Data Files of the Memory Card " for details.
The touch screen is not responding to my touches.	Press the reset button and turn on the power again.
What can I do if water is spilled over the surface or inside the device?	Wipe the surface of the device with dry cloth. Put the device in a ventilated and shady place to let it dry. Do not expose the equipment to direct sunlight. Then, turn on the equipment and check whether it operates normally. If it still cannot work, please contact your local dealer. Do not attempt to open the enclosure by yourself.